

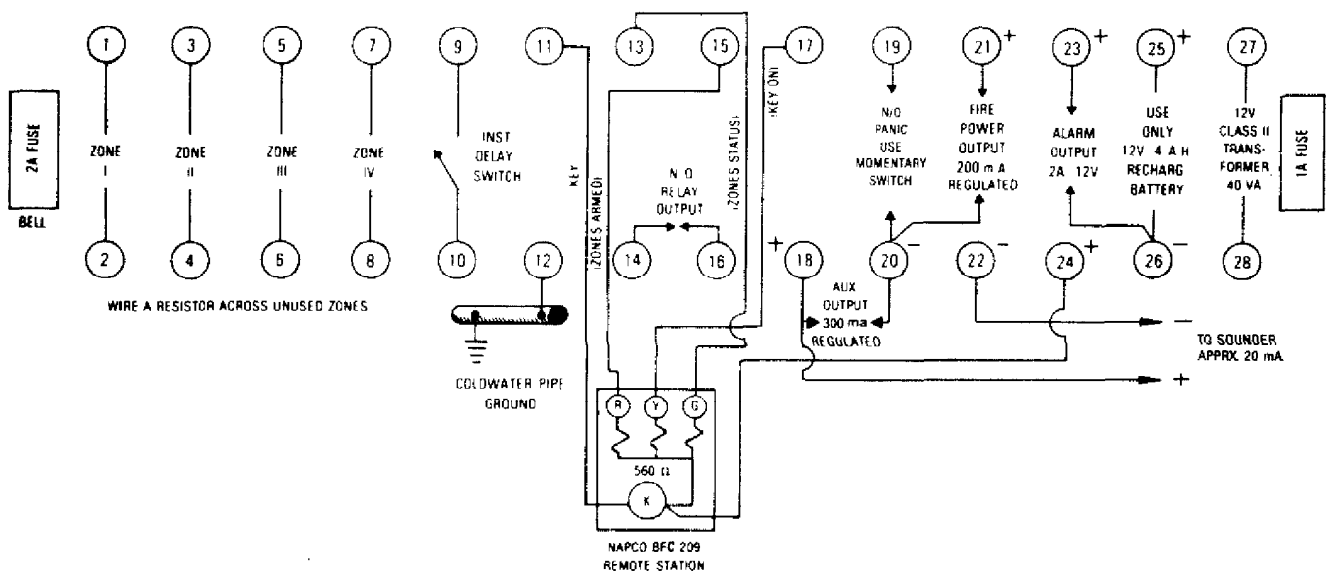
CCI-6 ALARM CONTROL CENTER

MOUNTING

Select a suitable mounting location with good wiring accessibility and a firm footing for the panel. Mount the control as follows:

1. Remove the electronic circuit boards from the CCI-6 by loosening the two hex head screws on either side of the circuit board's terminal strip, and unplug the three wire connector from the chassis. Place the circuit boards assembly on a soft cloth to avoid mechanical damage.
2. Using a hammer and punch, remove the desired electrical wiring access knock-out from the cabinet.
3. Place the cabinet on its mounting location and mark the spot for each of the 3 mounting holes. Remove the cabinet and drill a starter hole or install molleys as necessary to assure a firm hold.
4. Attach the cabinet using adequate screws. Reinstall the circuit boards after being sure the communicator board is securely connected to the control board. If the control is not communicator equipped, be sure the jumper is in place on the control board's connector. Mildly tighten the hex screws. Be sure to reconnect the plug to the three wire connector.

WIRING & INSTALLATION



2 AMPERE BELL FUSE - This slow-blow fuse protects terminals 23 and 24, and all items wired to them.

1 AMPERE FUSE - This slow-blow fuse protects terminals 21 and 18, and all items wired to them. **The control center will not operate without this fuse.**